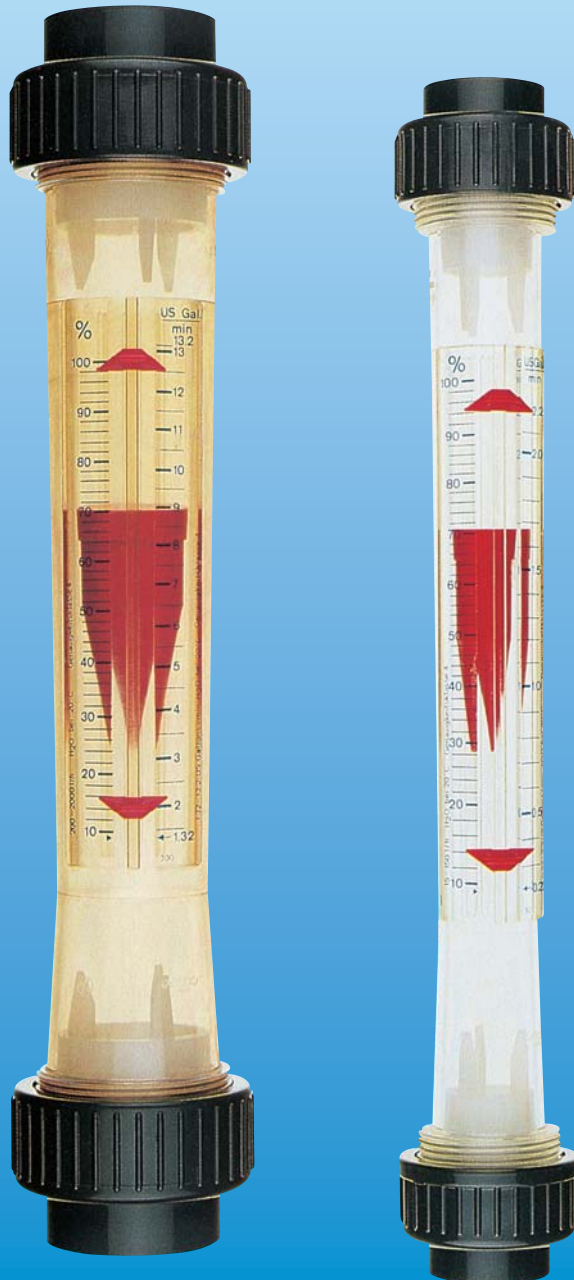


KSM PLASTIC FLOWMETER AND SWITCH



Flow
Pressure
Level
Temperature
measurement
monitoring
control



- Accuracy: $\pm 4\%$ Full Scale
- Shock and Corrosion Resistant
- Maximum Pressure 145 PSI
- Direct and Relative (%) Reading Scales for Water and Air
- Highly Visible Float and Adjustable Switch Available
- Large Easy-To-Read Scale

S2



USA

KOBOLD Instruments Inc.
1801 Parkway View Drive
USA-Pittsburgh, PA 15205
☎ +1 412-788-2830
Fax +1 412-788-4890
E-mail: info@koboldusa.com

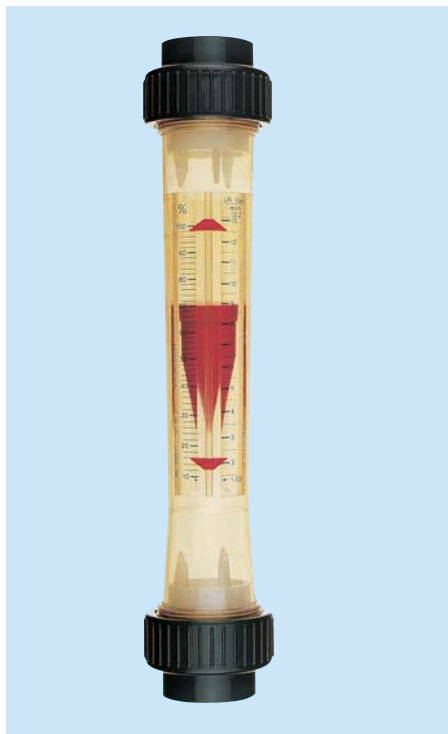


CANADA

KOBOLD Instruments Canada Inc.
9A Aviation
Pointe-Claire, QC H9R 4Z2
☎ +1 514-428-8090
Fax +1 514-428-8899
E-mail: kobold@kobold.ca

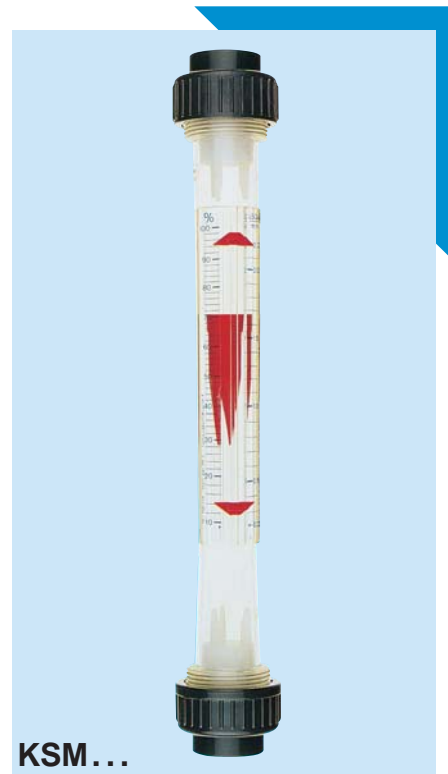
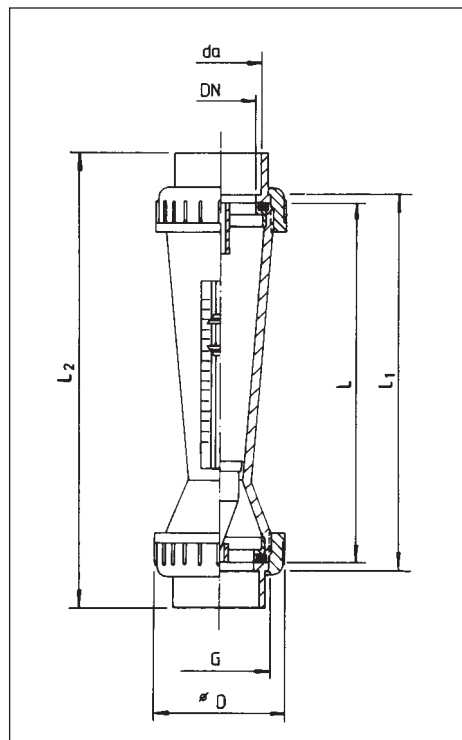
Visit KOBOLD Online at
www.kobold.com

Model:
KSM



Specifications

- Accuracy:** ±4% full scale
- Flow Media:** liquids and gases
- Mounting:** vertical, media flow bottom to top
- Max. Temperature:** 140°F
- Max. Pressure:** 145 PSI
- Materials:**
- Measuring Tube:** Trogamid-T or Polysulfone
- Float Stops:** PVDF
- Fitting:** PVC
- O-Rings:** EPDM
- Switch:** Reed-contact
Max. 230 VAC, max. 10 W/120 A, max. 0.5 A



The KSM series plastic flowmeter with switch is an excellent choice for applications with aggressive media. There are no metal parts contacting the fluid. Measuring tubes are Nylon or Polysulfone with other wetted parts made of PVDF, PVC and EPDM. The standard flow meters are equipped with a scale for water or air and a percentage scale. Two adjustable markers, rail for accessories and PVC glue connection with capnut. A polysulfone measuring-tube is available for very corrosive media and Trogamid-T for less aggressive media. Both materials are rugged and shock resistant.

Sizes (inches)				
da	L	L1	L2	D
1	13.2	13.4	15.2	2.36
1	13.2	13.4	15.2	2.36
1	13.2	13.4	15.2	2.36
1.5	13.2	13.4	15.9	3.27
1.5	13.2	13.4	15.9	3.27
2	13.2	13.4	16.4	4.06
2	13.2	13.4	16.4	4.06
2.5	13.2	13.5	18.0	4.80
2.5	13.2	13.5	18.0	4.80
2.5	13.2	13.5	18.0	4.80

Order Numbers for Standard Types							
Range water GPM	Nominal Size in Inches	Press. drop max. PSI	Float Material	Flowmeter with water and % scale		Flowmeter and switch with water and % scale	
				Trogamid	Polysulfone	Trogamid	Polysulfone
0.06- 0.66	1	0.26	PVDF	KSM-3001	KSM-4001	KSM-5001	KSM-6001
0.22- 2.2	1	0.26	PVDF	KSM-3005	KSM-4005	KSM-5005	KSM-6005
0.44- 4.4	1	0.26	PVDF	KSM-3010	KSM-4010	KSM-5010	KSM-6010
0.88- 8.8	1½	0.36	PVDF	KSM-3020	KSM-4020	KSM-5020	KSM-6020
1.32- 13.2	1½	0.36	PVDF	KSM-3030	KSM-4030	KSM-5030	KSM-6030
2.64- 26.4	2	0.36	PVDF	KSM-3060	KSM-4060	KSM-5060	KSM-6060
5.28- 52.8	2	0.36	PVDF	KSM-3120	KSM-4120	KSM-5120	KSM-6120
8.8 - 88	2½	0.36	PVDF	KSM-3200	KSM-4200	KSM-5200	KSM-6200
13.2 -132	2½	0.36	PVDF	KSM-3300	KSM-4300	KSM-5300	KSM-6300
35 -264	2½	0.48	PVC	KSM-3600	KSM-4600	N/A	N/A

Options (add suffix to Order Number)
Range air SCFM
Suffix "L"
0.5- 3
1.5- 10
3 - 20
5 - 40
8 - 56
14 -114
25 -220
40 -350
60 -500

Add Suffix "T" for NPT fittings