

DRH PADDLE WHEEL FLOW SENSOR



Flow
Pressure
Level
Temperature
measurement
monitoring
control



- **Compact Size**
- **Seven Material Combinations**
- **Flow Ranges 0.05-0.2 GPM to 0.66-13.2 GPM**
- **Frequency, 4-20 mA Transmitters or Compact Electronics**
- **Operating Pressures to 580 PSIG**



S4



USA

KOBOLD Instruments Inc.
1801 Parkway View Drive
USA-Pittsburgh, PA 15205
☎ +1 412-788-2830
Fax +1 412-788-4890
E-mail: info@koboldusa.com



CANADA

KOBOLD Instruments Canada Inc.
9A Aviation
Pointe-Claire, QC H9R 4Z2
☎ +1 514-428-8090
Fax +1 514-428-8899
E-mail: kobold@kobold.ca

Visit KOBOLD Online at
www.kobold.com

Model:
DRH



Features

- Compact size
- Seven material combinations
- Flow Ranges 0.05-0.2 GPM to 0.66-13.2 GPM
- Frequency, 4-20 mA transmitters or compact electronics
- Operating pressures to 580 PSIG

The KOBOLD DRH series paddle flow sensor offers the variety of seven material combinations, allowing the DRH to stand up to virtually any liquid or aggressive chemical. The DRH is a compact flow sensor which employs permanent magnets embedded in a rotating paddle wheel. A Hall effect sensor detects the magnet passing and provides an output which is proportional to flowrate. The DRH can be supplied with a frequency output, 4-20 mA output, or a versatile compact electronics package providing an LED display, 4-20mA output, or programmable setpoint switches. The compact size, variety of material combinations and economical price make the DRH a perfect flow sensor for industrial or OEM applications.



KOBOLD DRH Series Paddle Flow Sensor

Specifications

Accuracy: ±2.5% of full scale
Output:
Frequency: PNP, 25 mA max. 14-28 VDC
Analog: 4-20 mA, 2-wire or 3-wire, 24 VDC power RL<500 ohms
Electrical Protection: NEMA 4X
Electrical Connection: Micro-DC plug, 4-pin male or DIN 43650 plug
Sensor Press.Drop: 14.5 PSI @ 100% rated flow

Compact Electronics (optional)

Programmable Functions: Lockout code, dampening, transmitter span, switch setpoint
Output Types: 4-20 mA, 3-wire flow transmitter and PNP flow switch or 2 PNP flow switches depending on model code
Switch Type: Adjustable, PNP open collector, 300 mA Max. short circuit protected, programmable as either a flow switch or frequency transmitter
Display: LED 3-digit
Electrical Protection: NEMA 4X
Electrical Connection: Micro-DC plug, 5-pin male

Material Combinations							
	DRH-11	DRH-12	DRH-14	DRH-15	DRH-17	DRH-18	DRH-19
Housing	Brass	Brass	316L SS	316L SS	Delrin	Delrin	PVDF
Housing Cover	Acrylic	Bronze	Acrylic	316L SS	Acrylic	Delrin	PVDF
O-ring	Buna-N	Buna-N	Viton	Viton	Buna-N	Buna-N	Viton
Paddle	Teflon	Teflon	Teflon	Teflon	Teflon	Teflon	Teflon
Axle	Ceramic	Ceramic	Ceramic	Ceramic	Ceramic	Ceramic	Ceramic
Axle Support	Teflon	Teflon	Teflon	Teflon	Teflon	Teflon	Teflon
Max. Temp.	176°F	212°F	176°F	212°F	176°F	176°F	176°F
Max. Press.	230 PSIG	580 PSIG	230 PSIG	580 PSIG	230 PSIG	230 PSIG	230 PSIG

DRH Series Ordering Codes

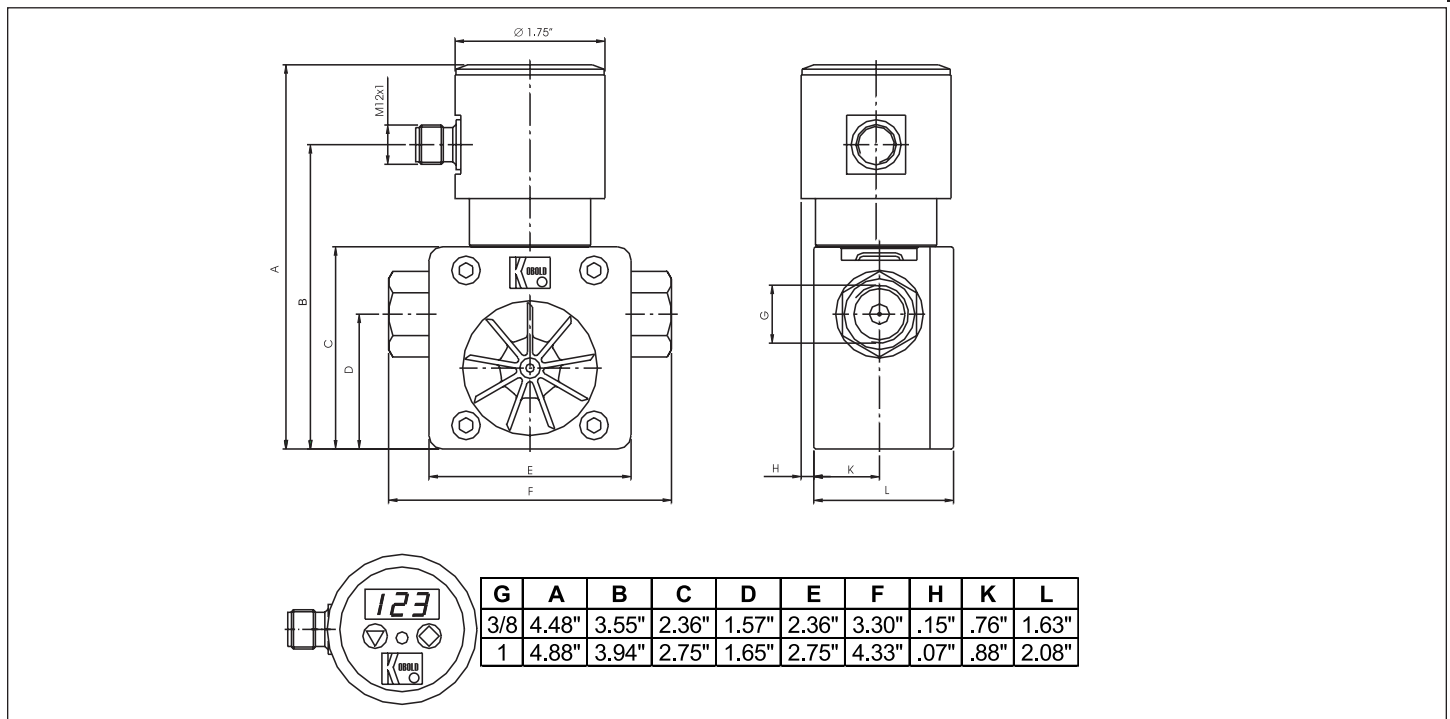
Flow Range GPM	Fitting NPT	Material Combination & Flow Range							Output
		DRH-11...	DRH-12...	DRH-14...	DRH-15...	DRH-17...	DRH-18...	DRH-19...	
0.05-0.2	3/8"	...55N3	...55N3	...55N3	...55N3	...55N3	...55N3	...55N3	F300 = Frequency w/ Micro-DC Plug
0.05-0.53	1"	...60N6	...60N6	...60N6	...60N6	...60N6	...60N6	...60N6	
0.08-0.75	3/8"	...65N3	...65N3	...65N3	...65N3	...65N3	...65N3	...65N3	L342 = 4-20 mA, 2-wire Micro-DC Plug
0.07-1.3	1"	...70N6	...70N6	...70N6	...70N6	...70N6	...70N6	...70N6	
0.13-1.6	3/8"	...75N3	...75N3	...75N3	...75N3	...75N3	...75N3	...75N3	L343 = 4-20 mA, 3-wire Micro-DC Plug
0.13-4.0	1"	...80N6	...80N6	...80N6	...80N6	...80N6	...80N6	...80N6	
0.26-4.2	3/8"	...85N3	...85N3	...85N3	...85N3	...85N3	...85N3	...85N3	L442 = 4-20 mA DIN 43650 Plug
0.26-6.8	3/8"	...90N3	...90N3	...90N3	...90N3	...90N3	...90N3	...90N3	
0.53-9.5	1"	...95N6	...95N6	...95N6	...95N6	...95N6	...95N6	...95N6	C34P = Compact Electronic 4-20mA + 1 PNP Switch
0.66-13.2	1"	...98N6	...98N6	...98N6	...98N6	...98N6	...98N6	...98N6	
Accessories									
Part Number 807.037 - Mating 4-PIN Micro-DC plug with 6ft. cable for output F300, L342, L343 & Z340 807.007 - Mating 5-PIN Micro-DC plug with 6ft. cable for output C34P and C30R									
Z340 = Analog Indicator + 4-20mA. 3-wire									

Example Part Number: DRH-1155N3F300

S4

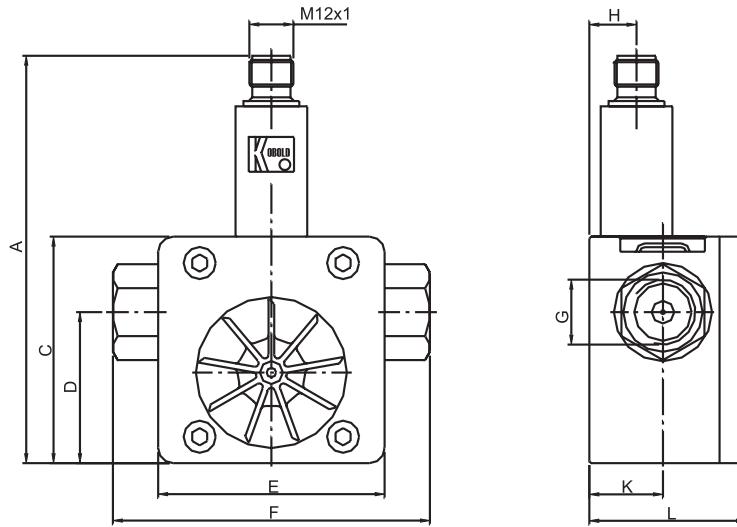
DIMENSIONS

DRH w/ Compact Electronics



DIMENSIONS

DRH w/ Micro-DC Plug



G	A	C	D	E	F	H	K	L
3/8	4.25"	2.36"	1.57"	2.36"	3.30"	.49"	.76"	1.63"
1	4.64"	2.75"	1.65"	2.75"	4.33"	.62"	.88"	2.08"