

DRG PADDLE FLOW SENSOR



Flow
Pressure
Level
Temperature
measurement
monitoring
control



- Economically Priced
- Perfect OEM Flow Sensor
- Five Material Combinations
- Flow Ranges 0.15-3 GPM to 3-37 GPM
- Frequency, 4-20 mA Transmitters or Compact Electronics
- All Plastic Versions Available



S4



USA

KOBOLD Instruments Inc.
1801 Parkway View Drive
USA- Pittsburgh, PA 15205
☎ +1 412-788-2830
Fax +1 412-788-4890
E-mail: info@koboldusa.com



CANADA

KOBOLD Instruments Canada Inc.
9A Aviation
Pointe-Claire, QC H9R 4Z2
☎ +1 514-428-8090
Fax +1 514-428-8899
E-mail: kobold@kobold.ca

Visit KOBOLD Online at
www.kobold.com

Model:
DRG



Features

- Economically Priced
- Perfect OEM Flow Sensor
- Five Material Combinations
- Flow Ranges 0.15-3 GPM to 3-37 GPM
- Frequency, 4-20 mA Transmitters or Compact Electronics
- All Plastic Versions Available

The KOBOLD series DRG has the winning combination of compact size, low cost and versatility which makes it the perfect product for OEM flow measuring applications. The DRG series is a paddle flow sensor which uses a Hall effect sensor to detect the passing of permanent magnets imbedded in the rotating paddle. The DRG can be supplied with a frequency output, 4-20 mA output or a versatile compact electronics package providing an LED display, 4-20 mA output or programmable setpoint switches. The DRG series is offered in five material combinations. An all plastic version is available which makes the DRG series suitable for use with high purity water and many types of aggressive chemicals.



KOBOLD DRG Series Paddle Flow Sensor

Specifications

Accuracy: ±3% of full scale
Output:
Frequency: PNP, 25 mA max. 14-28 VDC
Analog: 4-20 mA, 2-wire or 3-wire, 24 VDC power
Elec. Protection: NEMA 4X
Elec. Connection: Micro-DC plug, 4-pin male or DIN 43650 Plug
Sensor Pressure Drop: 14.5 PSI @ 100% rated flow

Compact Electronics (optional)

Programmable Functions: Lockout code, dampening, transmitter span, switch setpoint
Output Types: 4-20 mA, 3-wire flow transmitter and PNP flow switch or 2 PNP switches depending on model code
Switch Type: Adjustable, PNP open collector, 300 mA Max. short circuit protected, programmable as a flow switch or frequency transmitter
Display: LED 3-digit
Electrical Protection: NEMA 4X
Electrical Connection: Micro-DC plug, 5-pin male

Material Combinations

	DRG-11	DRG-12	DRG-14	DRG-15	DRG-18
Housing	Bronze	Bronze	316L SS	316L SS	Polypropylene
Housing Cover	Polysulfone	Bronze	Polysulfone	316L SS	Polypropylene
O-ring	Buna-N	Buna-N	Viton	Viton	Buna-N
Paddle	Teflon	Teflon	Teflon	Teflon	Teflon
Axle	Ceramic	Ceramic	Ceramic	Ceramic	Ceramic
Axle Support	Teflon	Teflon	Teflon	Teflon	Teflon
Max. Temp.	176°F	176°F	176°F	176°F	176°F
Max. Press.	230 PSIG	580 PSIG	230 PSIG	580 PSIG	100 PSIG

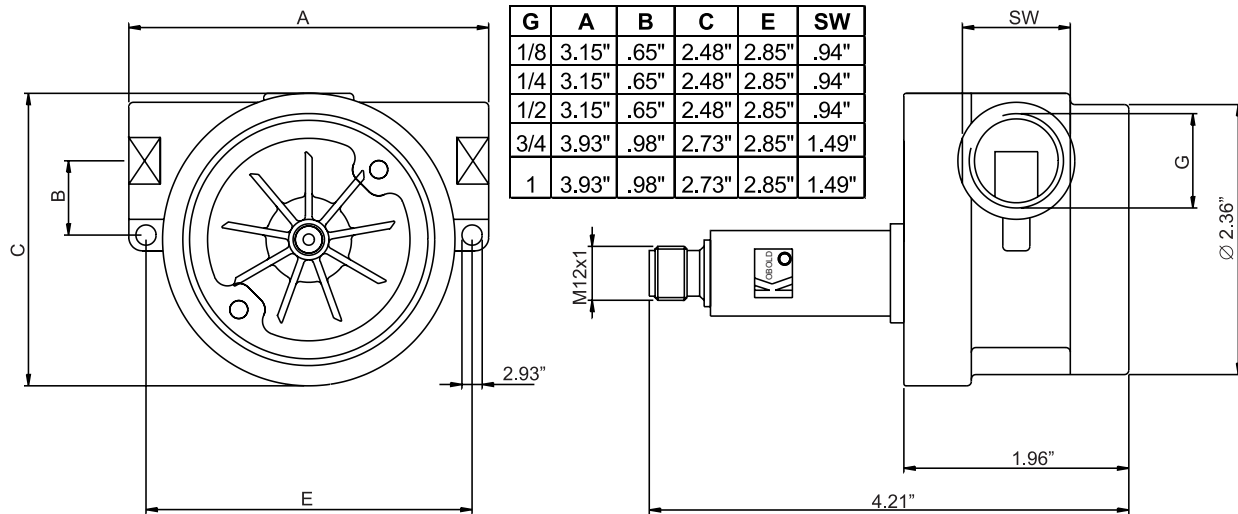
DRG Series Ordering Codes

Flow Range GPM Water	Material Combination & Flow Ranges					Fitting (NPT)					Output
	DRG-11...	DRG-12...	DRG-14...	DRG-15...	DRG-18...	1/8"	1/4"	1/2"	3/4"	1"	
0.15-3	...50	...50	...50	...50	...50	N1	-	-	-	-	F300= Frequency Micro-DC Plug L342= 4-20 mA, 2-wire, Micro-DC Plug L343= 4-20 mA, 3-wire, Micro-DC Plug L442= 4-20 mA, 2-wire DIN 43650 Plug C34P= Compact Electronics, 4-20mA +1 PNP Switch C30R= Compact Elec. 2 PNP Switches Z340= Analog Indicator + 4-20mA, 3-wire
0.15-6.6	...55	...55	...55	...55	...55	-	N2	-	-	-	
0.3-8	...60	...60	...60	...60	...60	-	N2	N4	-	-	
0.6-12	...65	...65	...65	...65	...65	-	-	N4	N5	N6	
0.8-23	...70	...70	...70	...70	...70	-	-	N4	N5	N6	
1.5-37	...75	...75	...75	...75	...75	-	-	-	N5	-	
3-37	...80	...80	...80	...80	...80	-	-	-	-	N6	
Accessories											
Part Number 807.037 - Mating 4-pin Micro-DC plug with 6 ft. cable for output F300, L342, L343 & Z340 807.007 - Mating 5-pin Micro-DC plug with 6ft. cable for output C34P & C30R											

Example Part Number: DRG-1150N1F300

DIMENSIONS

DRG Frequency and 4-20 mA



S4



DIMENSIONS

DRG w/ Compact Electronics

