

RL-5900
POWER SUPPLY AND RELAY



Flow
Pressure
Level
Temperature
measurement
monitoring
control

Z2



- **Integrated Excitation Power Supply and Isolation Relay**
- **For Use With Dry Contacts or Transistor Switches**
- **24 VDC Excitation at 120 mA Max.**
- **Compact and Convenient**



USA

KOBOLD Instruments Inc.
1801 Parkway View Drive
USA-Pittsburgh, PA 15205
☎ +1 412-788-2830
☎ Fax +1 412-788-4890
E-mail: info@koboldusa.com



CANADA

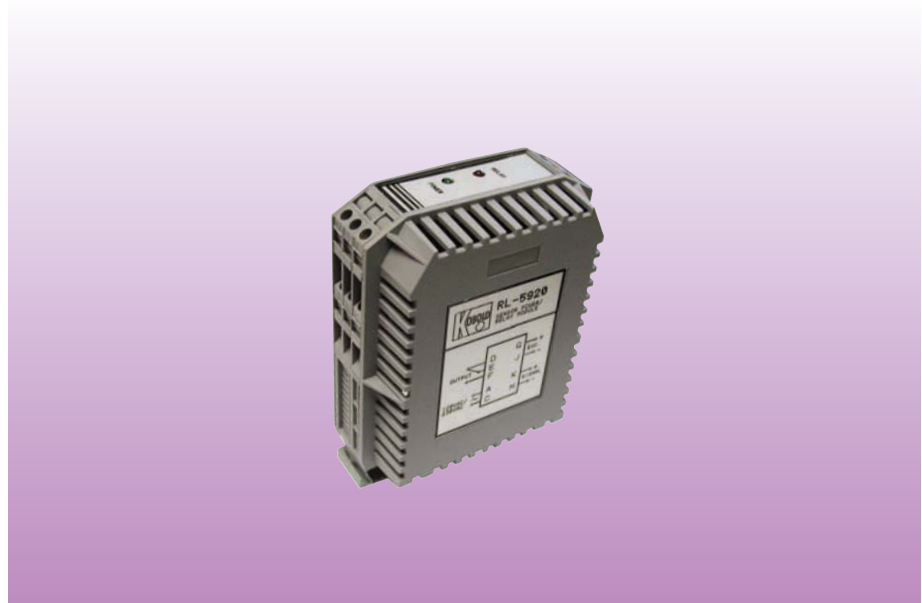
KOBOLD Instruments Canada Inc.
9A Aviation
Pointe-Claire, QC H9R 4Z2
☎ +1 514-428-8090
☎ Fax +1 514-428-8899
E-mail: kobold@kobold.ca

Visit KOBOLD Online at
www.kobold.com

Model:
RL-5900

RL-5900 Power Supply & Relay

The RL-5900 is an integrated, power supply and isolation relay designed to provide high current switching capacity for flow, pressure, level or temperature primary switching devices such as reed contacts and transistors. The RL-5900 is supplied by 110 VAC or 230 VAC power and provides a 24 VDC/120 mA power supply for sensor excitation. The RL-5900 series also has an integrated isolation relay rated at 10 amps at 240VAC. All of these features, combined into a single compact package, makes the RL-5900 series excellent standalone solution for sensor excitation and contact protection.



Specifications

Supply Voltage: 110, 230 VAC

Output: SPDT Relay
10 A @ 240VAC
8 A @ 24 VDC

Input: Dry contact, NPN or PNP open collector, user selectable
* For PNP configuration the output relay will be energized under normal conditions, fail-safe
* Sink/Source current 15 mA max.

Excitation: 24 VDC ($\pm 2\%$)
120 mA, regulated, fuse protected

Indicators: LED Green - Power ON
LED Red - Relay energized

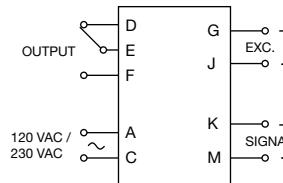
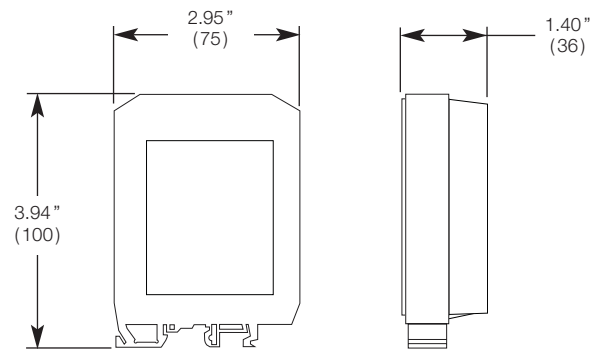
Physical Data

Housing: Molded polyamide
NEMA 1/IP 20
DIN rail mountable

Operating Range

Temperature: 0°F to +130°F
Humidity: 0 to 95% RH

Dimensions



RL Ordering Information

Supply Voltage	Part Number
	Power Supply & Relay
	Excitation 24 VDC
110 VAC	RL-5901
230 VAC	RL-5902