



TYPE T124/134 TEMPERATURE/ PRESSURE PILOT

CONTROLS 20 to 500°F

- Precise, Rapid Response
- Vapor Tension Thermostat Spring Operated
- Self Contained
- Normally Open
- Packless Construction
- Fluid, Gas and Vapor Applications
- Strainer Screen Built-in
- Easy in-line Maintenance
- Temperature and Pressure in One Pilot

MODELS

- **TYPE T124** for heater operating pressures between 20 and 125 psi.
- **TYPE T134** for heater operating pressures up to 20 psi.

OPTIONS *See page 87*

- Stainless Steel Flexible Tubing
- Stainless Steel Capillary Tubing
- Tubing longer than 10'
- Thermostat Well
- Dial Thermometer
- Integral Mount
- Thermostat other than #700 (see Options Section)

TYPE T134 TEMPERATURE/PRESSURE PILOT

APPLICATION DATA

- Instantaneous Water Heaters
- Oil Heaters
- Storage Heaters
- Process Heaters
- Jacketed Kettles
- Vats
- Driers
- Ovens

RATINGS (Maximum Inlet Conditions)

| Construction | Pressure PSIG (bar) | Temperature °F (°C) |
|--------------|------------------------|------------------------|
| Cast Iron | 250 (17.2) @ | 450 (232) |
| Cast Steel | 600 (41.4) @ | 750 (400) |

TEMPERATURE RANGES (°F)

| | | |
|---------|---------|---------|
| 20-120 | 150-300 | 300-400 |
| 50-150 | 170-270 | 330-430 |
| 70-170 | 250-350 | 400-500 |
| 120-220 | 290-390 | |

Canadian Registration # OC 0591.9C

SIZING INFO
PAGE 118

*Cast Steel available in T134 only.

THERMOSTATS

| | | |
|-----|-----|-----|
| 700 | 706 | 731 |
| 701 | 708 | 732 |
| 702 | 711 | 740 |
| 703 | 712 | 800 |
| 704 | 713 | 801 |

TYPICAL CONFIGURATIONS

| | |
|------------------------------|--------|
| TEMPERATURE & PRESSURE | ET124 |
| TEMPERATURE & PRESSURE | ET134 |
| TEMPERATURE & PRESSURE | E2T134 |
| TEMPERATURE & PRESSURE | E5T124 |

TYPE T124/134 TEMPERATURE/ PRESSURE PILOT

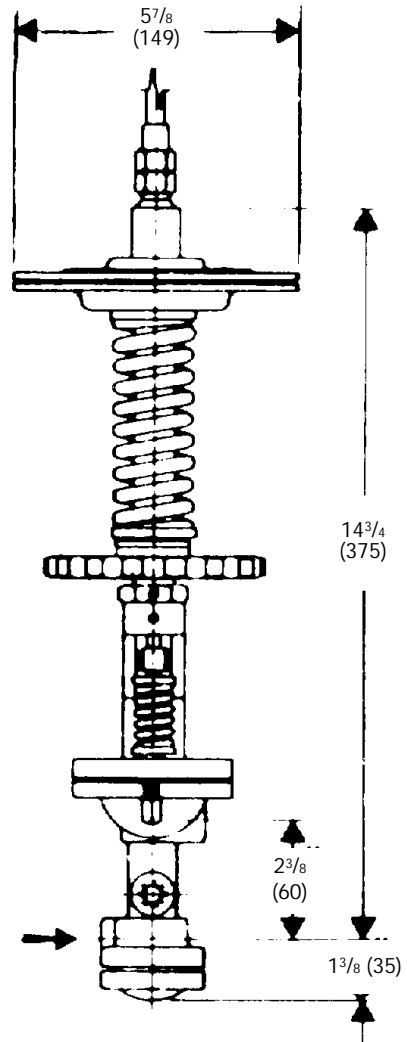
SPECIFICATION

Pilot valve shall be separate from the main valve and connected to it by unions. Pilot seats shall be protected by built-in strainer screens. Pilots shall be interchangeable on all sizes of main valves. Thermal elements shall provide a 100°F (38°C) range of temperature adjustment and shall withstand 100°F (38°C) overheating without damage. Handwheel adjustment for temperature shall be standard. Unless otherwise scheduled, thermal elements shall be equipped with 10 feet of brass flexible tubing. Number 700 bronze bulb and Number 728 bronze well shall be included except with instantaneous heaters serving intermittent demand. Steel wells shall be supplied for fuel oil service on storage tank applications.

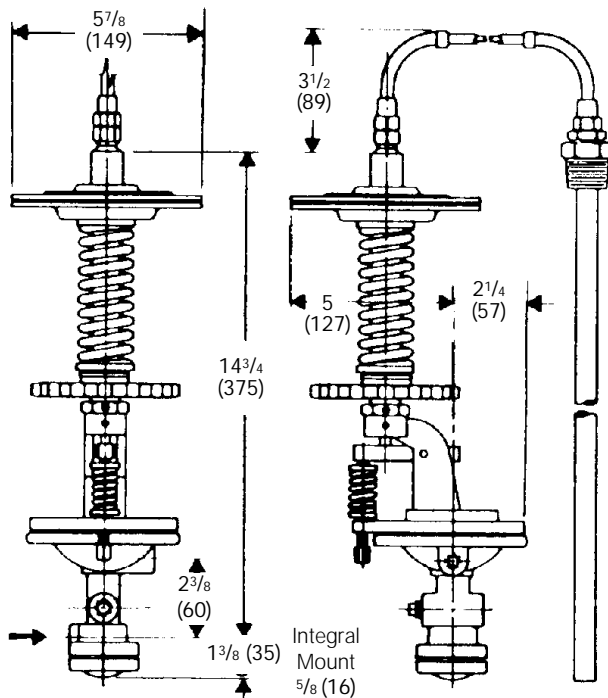
MATERIALS OF CONSTRUCTION

| | |
|------------------------|-------------------------------|
| Body, Cast Iron | ASTM A126 CI B |
| Body, Cast Steel | ASTM A216 WCB |
| Stem | .416 St. Stl. ASTM A582-75 |
| Disc | .440 St. St. ASTM A582 COND A |
| Seat | .420 St. Stl ASTM A582 COND A |
| Gasket | Graphite |
| Diaphragm | .301 St. Stl. MIL-5-5059C |
| Spring | Steel |

TYPE T124/134 TEMP/
PRESSURE PILOT



**TYPE T124 PILOT
16 LBS. (7.3 KG)**



**TYPE T134 PILOT
18 LBS. (8.2 KG)**

