



TYPE D210 ELECTRONIC ACTUATOR PILOT WITH MODULATING SERVO-AMPLIFIER

CONTROLS to 150 PSIG

- Modulate Process Variable in Relation to a Proportional Control Input Signal
- Servo-Amplifier provides Continuous Signal for Immediate Response
- Ambient Temperatures 20 to 120°F (-7 to 49°C)
- For use with Balanced Main Valve only

OPTIONS

- Back-up Power Supply for up to 6 hours continued service during power failure.
- Explosion proof actuator, NEMA
- Fail-Safe Device to stroke Actuator half or full open on input signal failure.

TYPICAL CONFIGURATIONS

4-20 MA PROPORTIONAL CONTROLED210

TYPE D210 ELECTRONIC PILOT ACTUATOR

APPLICATION DATA

- Building Control Systems

RATINGS

D210	120VAC, 50-60HZ, .3 AMPS
Servo-Amplifier	120VAC, 50-60HZ, .3 AMPS
B.U. Power Supply	120VAC, 60HZ, up to 6 AMPS

INPUT SIGNALS

1-5mA	10-50mA
4-20mA	Selectable from 0-24 VDC

Canadian Registration # OC 0591.9C

TYPE D210 ELECTRONIC ACTUATOR PILOT WITH MODULATING SERVO-AMPLIFIER

SPECIFICATION

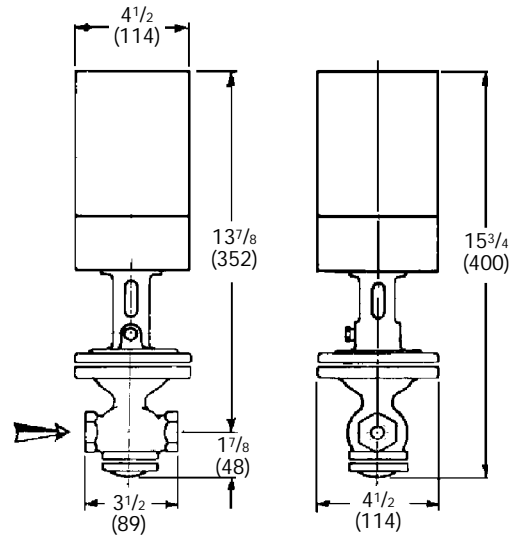
The Actuator Pilot shall maintain a system and modulate that system as requirements dictate. A continuous signal (1-5mA, 4-20mA, 10-50mA or 0-24 VCD) is transmitted by the system control to the Servo-Amplifier which positions the Actuator Pilot.

In the event of a power failure, the Actuator Pilot shall stop in its present position unless a back-up power supply is specified. Such backup power supply shall provide a minimum of specified hours of operation and be maintained in a fully charged standby condition automatically.

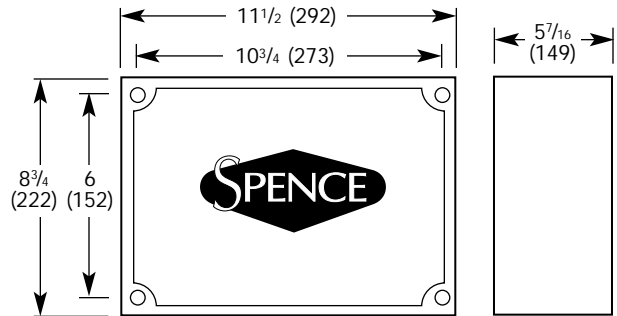
In the event of signal failure, the Actuator Pilot shall close unless a Fail-Safe Device is specified in the Servo-Amplifier which will be factory set to stroke the Actuator Pilot half open or full open.

MATERIALS OF CONSTRUCTION

Body, Cast Iron	ASTM 126 Cl. B
Body, Carbon Steel	ASTM 216 Gr. WCB
Stem	303 St. Stl. ASTM 582 Cond. A
Disc	440 St. Stl. ASTM 276-75 Cond. A
Seat	304 St. Stl. ASTM 276 Cond. A
Gasket	Non-asbestos



TYPE D210 ELECTRONIC
ACTUATOR PILOT



TYPE D210 SERVO-AMPLIFIER

TYPE D210
ACTUATOR PILOT