



# TYPE SP/P PRESSURE SAFETY PILOT

CONTROLS to 600 PSIG

- Self Contained
- Spring Operated
- Normally Closed
- Packless Construction
- Fluid, Gas & Vapor Applications
- Accurate Regulation Unaffected by Service Conditions
- Easy in-line Maintenance

### TYPICAL CONFIGURATIONS

- PRESSURE REDUCING .....TYPE EDSP/T
- PRESSURE REDUCING .....TYPE E5DSP/T

## TYPE SP/P PRESSURE SAFETY PILOT

### APPLICATION DATA

- Where overpressure could cause personal injury or damage

### RATINGS (Maximum Inlet Conditions)

| Construction | Pressure<br>PSIG (bar) | Temperature<br>°F (°C) |
|--------------|------------------------|------------------------|
| Cast Bronze  | 250 (17.2) @           | 400 (204)              |
| Cast Steel   | 600 (41.4) @           | 750 (400)              |

### SPRING PRESSURE RANGES (PSIG)

|       |        |         |
|-------|--------|---------|
| 5-13  | 31-65  | 121-175 |
| 13-30 | 66-120 |         |

Canadian Registration # OC 0591.9C

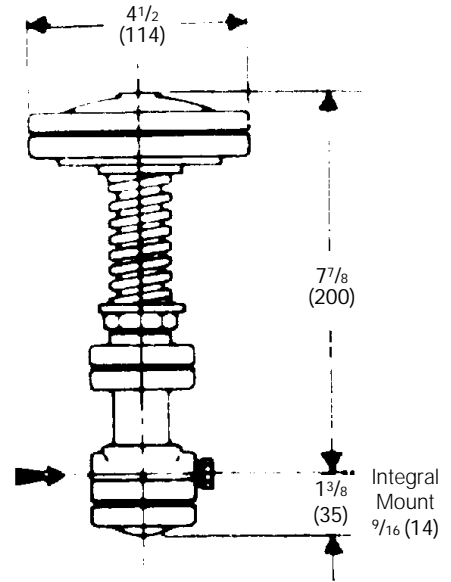
# TYPE SP/P PRESSURE SAFETY PILOT

## SPECIFICATION

Pilot to be used to prevent an accidental rise in reducing valve pressure and not to be used as substitute for a safety relief valve. Valve is normally closed. Body to be cast steel rated 600 psig 750°F or bronze rated 300 psig 500°F. Valve must provide for easy in line maintenance and of packless construction. Operating pressure range to be determined by spring selection.

## MATERIALS OF CONSTRUCTION

|                         |                              |
|-------------------------|------------------------------|
| Body, Cast Bronze ..... | ASTM B61-80 C92200           |
| Body, Cast Steel .....  | ASTM A216 GR. WCB            |
| Stem.....               | 303 St. St. ASTM A582 COND A |
| Disc .....              | 440 St. St. ASTM A276 COND A |
| Seat .....              | 420 St. Stl ASTM A276 COND A |
| Gasket .....            | Non-Asbestos                 |
| Diaphragm .....         | 301 St. Stl. MIL-5-5059C     |
| Spring .....            | Inconel                      |



**TYPE SP/P PRESSURE  
SAFETY PILOT  
8 LBS. (3.6 KG)**

TYPE SP/P PRESSURE  
SAFETY PILOT