



TYPE F32 PILOT

TYPE F BACK PRESSURE PILOT

CONTROLS 2 to 2000 PSIG

- Self Contained
- Spring Operated
- Normally Closed
- ANSI/FCI 70-2 Class IV Shutoff
- Packless Construction
- Four Adjustable Spring Ranges
- Operates on remote/local pressure source
- Not Affected by Static Head
- Accurate Regulation Unaffected by Service Conditions

MODELS

- **TYPE F13** for ± 1 psi control of back pressure between 100 and 300 psi.
- **TYPE F14** for ± 2 psi control of back pressure between 100 and 300 psi.
- **TYPE F15** for $\pm 1/2$ psi control of back pressure between 2 and 25 psi.
- **TYPE F32** for ± 10 psi control of back pressure between 200 and 2000 psi.

OPTIONS

- Adjustment Indicator
- Integral Mount

TYPICAL CONFIGURATIONS

- BACK PRESSURE CONTROLTYPE EF
- BACK PRESSURE CONTROLTYPE EF14D
- BACK PRESSURE CONTROLTYPE E2F
- BACK PRESSURE CONTROLTYPE E5F

APPLICATION DATA

- Steam Backpressure Control
- Steam Backpressure Control with long control pipes
- Backpressure controlled by change in pressure of secondary fluid
- Backpressure control where a water leg on the pilot diaphragm cannot be avoided*

RATINGS (Maximum Inlet Conditions)

Construction	Pressure PSIG (bar)	Temperature °F (°C)
Cast Iron	250 (17.2)	@ 450 (232)
Cast Steel	600 (41.4)	@ 750 (400)

SPRING PRESSURE RANGES (PSIG)

TYPE F13	TYPE F14	TYPE F15	TYPE F32
100-300	3-30	2-10	200-450
	20-100	5-25	400-1200
	40-150		1000-2000

Canadian Registration # OC 0591.9C

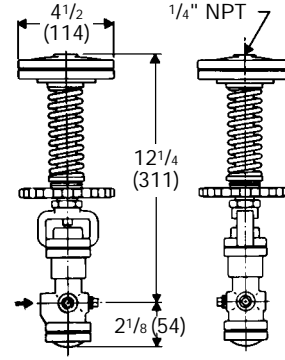
TYPE F BACK PRESSURE PILOT

SPECIFICATION

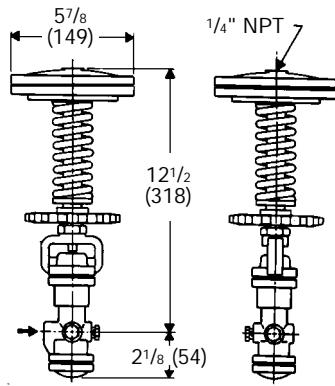
Pilot shall be separate from the main valve and connected to it with a male union. The pilot shall be normally closed design with packless construction. A strainer screen shall be built into the pilot inlet. The pilot shall be interchangeable on all sizes of main valves.

MATERIALS OF CONSTRUCTION

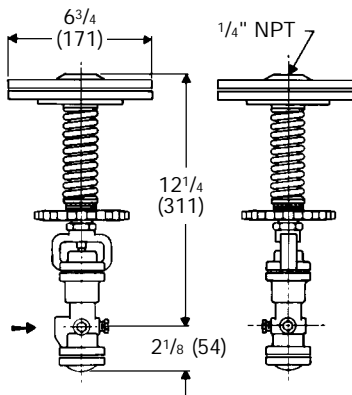
Body, Cast Iron	ASTM A126 CI B
Body, Cast Steel	ASTM A216 GR. WCB
Stem	2024-T4 ASTM B211-75
Disc	440 St. St. ASTM A276-75 COND A
Seat	420 St. Stl ASTM A276 COND A
Gasket	Non-Asbestos
Diaphragm	301 St. Stl. MIL-5-5059C
Spring	Steel ASTM A231



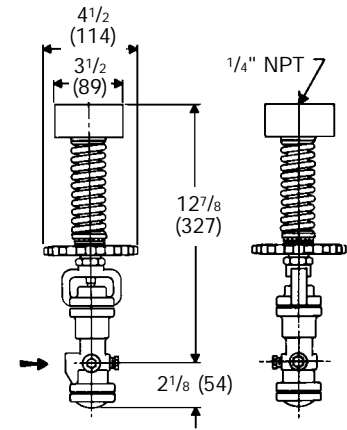
TYPE F13 PILOT
12 LBS. (5.5 KG)



TYPE F14 PILOT
14 LBS. (6.4 KG)



TYPE F15 PILOT
15 LBS. (6.8 KG)



TYPE F32 PILOT
12 LBS. (5.5 KG)