



PMV P4 PNEUMATIC POSITIONER

APPLICATION DATA

- Control of Intimidator, Boss and Doctor Control Valves
- Split Range for Parallel Stations
- Fine Tune Control
- Where Required Air Pressure is Greater than Controller Output
- Where Change of Actuator Action is Desired (Reverse to Direct & vice versa)

RATINGS

Temperature Range	-4 to 185°F (-20 to 85°C)
Supply Pressure	60 psig
Air Consumption	0.31 scfm (P4) 0.71 scfm (P5) 0.78 scfm (EP5)
Input Signal	3-15 psig, Split Range 4-20 mA
Linearity	±0.7% (P4) ≤0.5% (P5 & EP5)
Hysteresis	0.8% (P4) ≤0.75% (P5) ≤0.5% (EP5)
Body Construction	Aluminum

APPLICABLE CODES

CENELEC, FM & CSA approved

PMV POSITIONER

- Pneumatic or Electro-Pneumatic
- Compact, Rugged Design
- Easy to Calibrate
- Bright, Visible Indicator
- Low Air Consumption
- Mounts Compactly on Valve
- Stainless Steel Cam
- External Zero Adjustment
- Modular Design

OPTIONS

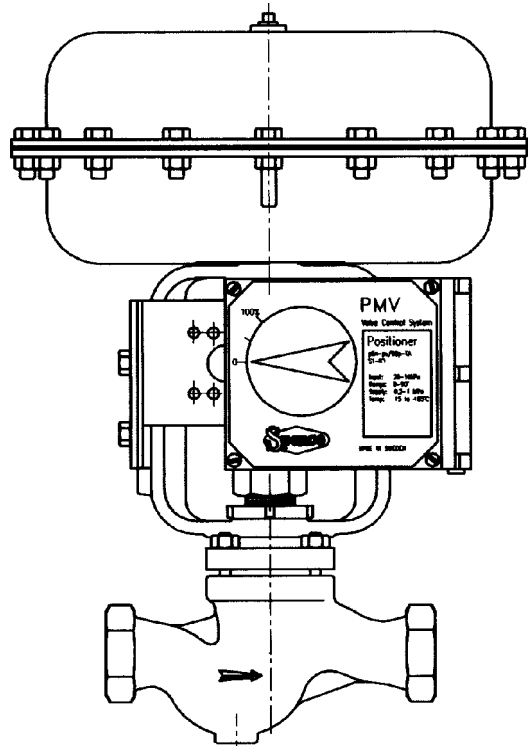
- Mechanical Limit Switch
- Proximity Limit Switch
- 4-20 mA Position Transmitter Feedback
- Potentiometer 1K Feedback
- Gauges

MODELS

- P4 Pneumatic Positioner
- P5 Pneumatic Positioner w/Gauges
- EP5 Electro-pneumatic Positioner w/Gauges

SPECIFICATION

The Positioner shall be modular and cam characterized with FM, CSA and CENELEC certifications and shall be mounted directly onto the valve. Feedback, I/P Transducer and/or Limit Switch options shall be available.



PMV P4 POSITIONER
ON INTIMIDATOR TYPE J CONTROL VALVE