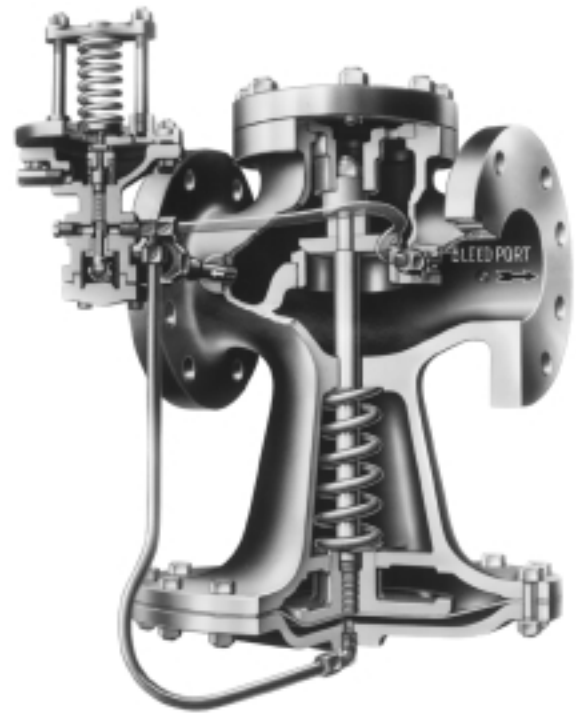


TYPE E2D SERIES PRESSURE REGULATOR

CAST IRON
PRESSURES to 15 PSIG max.

APPLICATION DATA

- Pressure Regulating for Steam Distribution
- Single Point or Multiple use Applications
- Single Stage Reduction
- Parallel Reduction
- Low Pressure Drop to Operate Valve
- Instantaneous Hot Water Heaters with low supply pressures (with the addition of a T14 Pilot)



TYPE E2D
PRESSURE REGULATOR

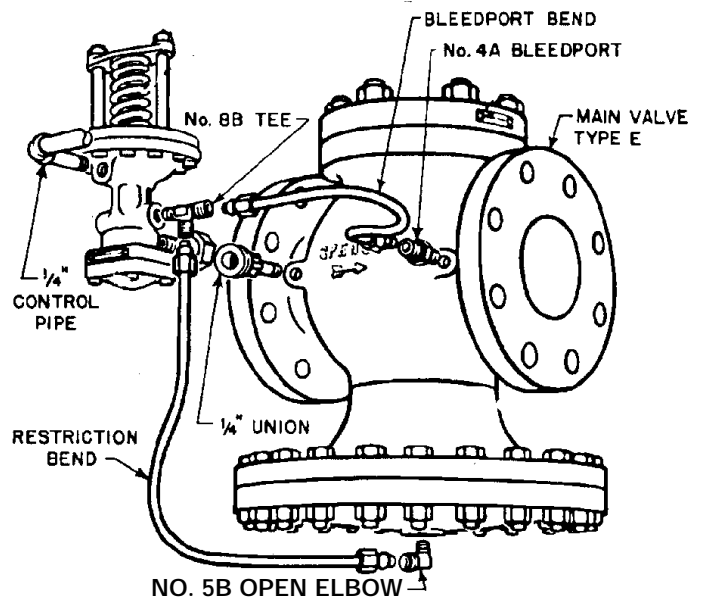
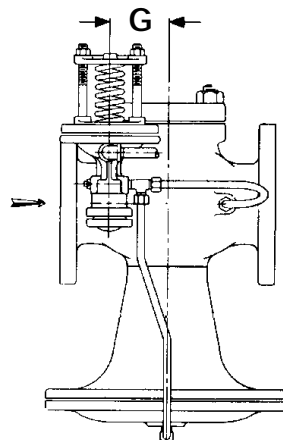
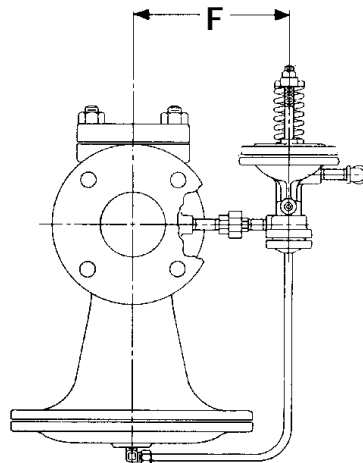
TYPE E2D PRESSURE REGULATOR

VALVE INFO
PAGE 30

PILOT INFO
PAGE 48

DIMENSIONS inches (mm)

SIZE	F	G
3/4 (20)	5 5/8 (143)	1 3/8 (35)
1 (25)	5 3/4 (146)	1 1/2 (38)
1 1/4 (32)	6 (152)	1 7/8 (48)
1 1/2 (40)	6 1/4 (159)	2 (51)
2 (50)	6 5/8 (168)	2 1/8 (54)
2 1/2 (65)	6 3/4 (171)	2 3/8 (60)
3 (80)	7 1/4 (184)	2 3/4 (70)
4 (100)	7 3/8 (187)	3 1/2 (89)
5 (125)	8 1/8 (206)	3 1/2 (89)
6 (150)	8 1/2 (216)	4 (102)
8 (200)	9 3/8 (238)	6 1/4 (159)
10 (250)	11 (279)	6 (152)
12 (300)	11 7/8 (302)	7 1/4 (184)



Valve is tapped so that Pilot may be mounted on either side.